

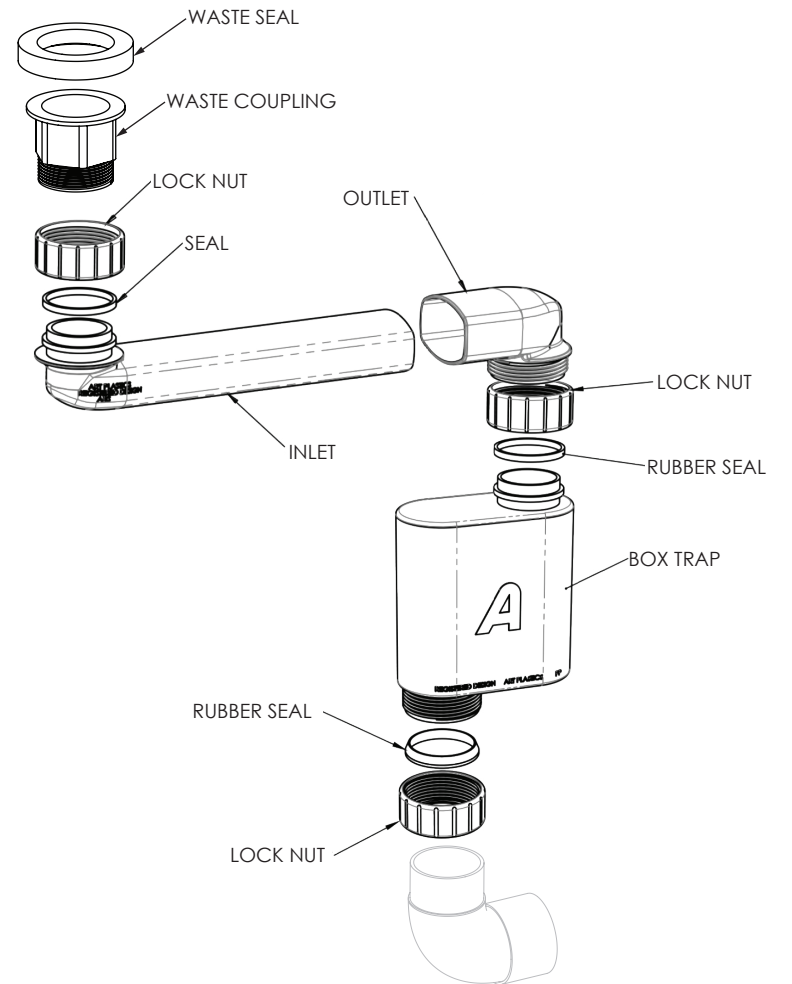
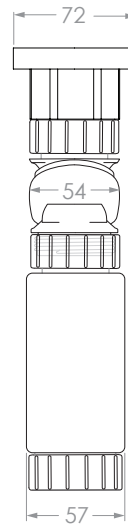
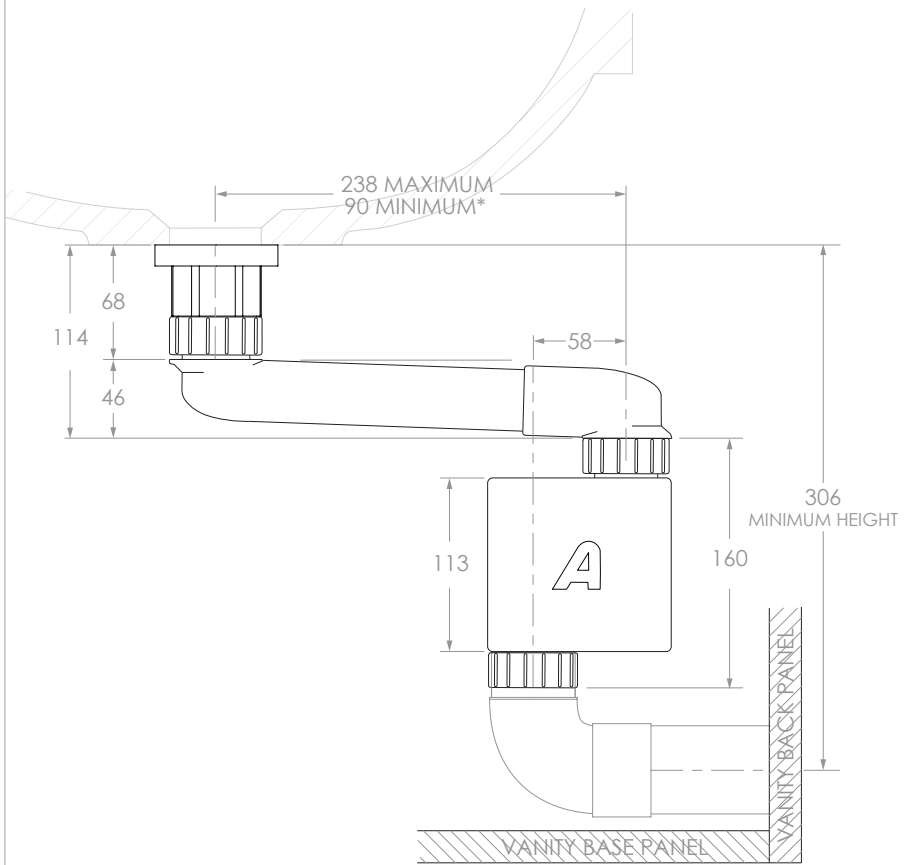
PRODUCT:	FLO 1200 CENTRE	TOP:	12 / 20MM SOLID SURFACE BENCHTOP
SIZE:	1198W x 500D x *359/367H (539/547H WITH SPLASH)	BASIN POSITION:	CENTRE
CONFIGURATION:	ALL DRAWER, WALL HUNG	CODE:	FLOFAS1200WHCCP- (CHERRY PIE) FLOFAS1200WHCDU - (DURASEIN)
VERSION: 02	DATE: 31/01/2024		

**NOTES:**

DIMENSIONS ARE NOMINAL. DO NOT DRILL OR ROUGH IN UNTIL YOU HAVE RECEIVED AND MEASURED YOUR VANITY.

ALL DIMENSIONS ARE IN MILLIMETRES. DO NOT MEASURE FROM DRAWING.

\*FOR DURASEIN FINISHES 12MM MATERIAL THICKNESS. 20MM THICKNESS FOR ALL OTHER BENCHTOP FINISHES.



PRODUCT:	SPACE SAVER PLUMBING KIT
CODE:	SPCSVRKIT40
OUTLET SIZE:	40MM
VERSION: 02	DATE: 29/06/2023

FINISH: WHITE

**NOTES:**  
 DIMENSIONS ARE NOMINAL. DO NOT DRILL OR ROUGH IN UNTIL YOU HAVE RECEIVED AND MEASURED YOUR VANITY.  
 ALL DIMENSIONS ARE IN MILLIMETRES. DO NOT MEASURE FROM DRAWING.  
 SPACE SAVER PLUMBING KIT INCLUDED TO CONCEAL PLUMBING BEHIND DRAWER. PLEASE NOTE THAT THE BOX TRAP IS NOT COMPATIBLE WITH ALL BASINS. RECOMMEND USING A SHORT TRAP FOR SEMI INSET BASINS.