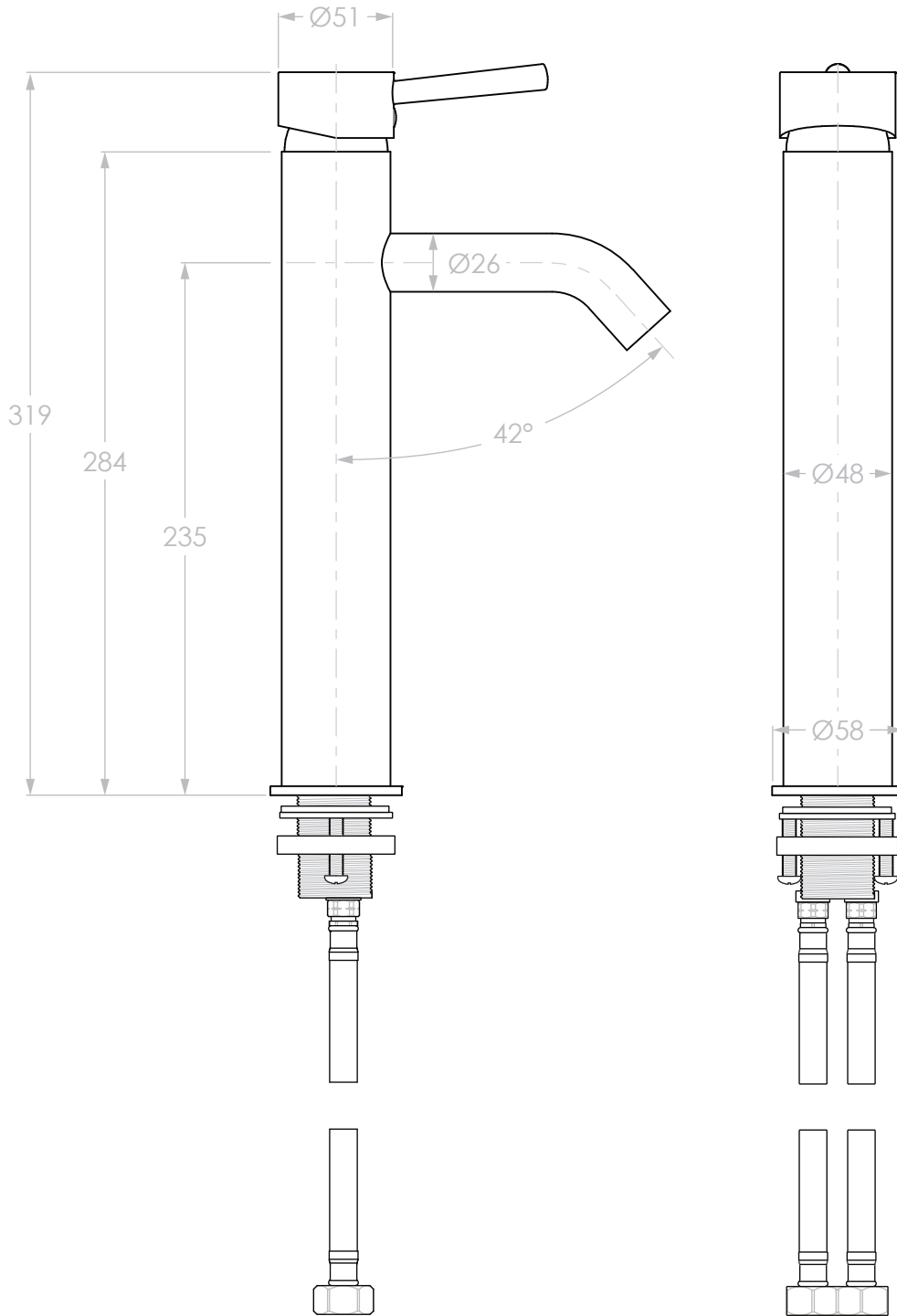


PRODUCT:	BLOOM EXTENDED BASIN MIXER
SIZE:	319H x 175D x 58W
TYPE:	BASIN MIXER
VERSION: 02	DATE: 03/04/2023

CHROME
 MATTE BLACK (ELECTROPLATED)
 BRUSHED NICKEL (PVD)
 BRUSHED BRASS (PVD)
 BRUSHED GUNMETAL (PVD)

JTAPEBBLMCP
 JTAPEBBLMBA
 JTAPEBBLMNK
 JTAPEBBLMBB
 JTAPEBBLMBGM



NOTES:

ALL DIMENSIONS ARE NOMINAL AND SUBJECT TO CHANGE.
 DO NOT DRILL OR ROUGH IN UNTIL YOU HAVE RECEIVED AND MEASURED YOUR PRODUCT.
 ALL DIMENSIONS ARE IN MILLIMETRES.
 DO NOT MEASURE FROM DRAWING.

WATER SUPPLY REQUIREMENTS:

NOT RECOMMENDED FOR GRAVITY FED WATER SYSTEMS OR WATER TANKS.
 WORKING PRESSURE: 350 – 500KPA (INCLUDING COLD AND HOT WATER PRESSURE)
 MAXIMUM PRESSURE: 73PSI / 500KPA
 TEMPERATURE RATING: 5°C - 65°C (MUST NOT EXCEED 70°C)
 INSTALLATION SHOULD COMPLY WITH AUSTRALIAN STANDARD AS/NZS 3500 OR RELEVANT LOCAL AUTHORITY REQUIREMENTS.