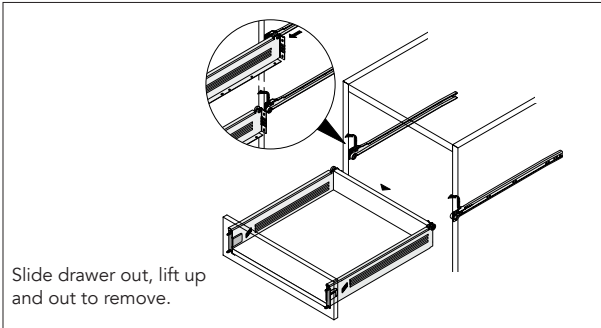
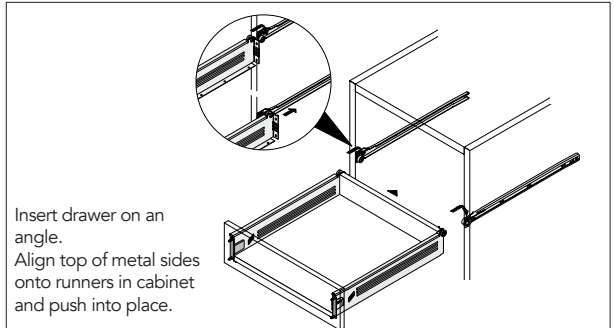


REMOVING DRAWER



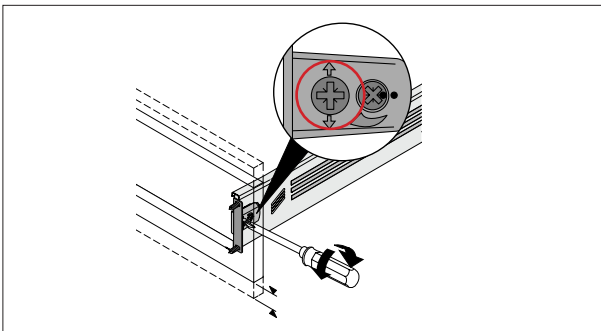
Slide drawer out, lift up and out to remove.

INSERTING DRAWER

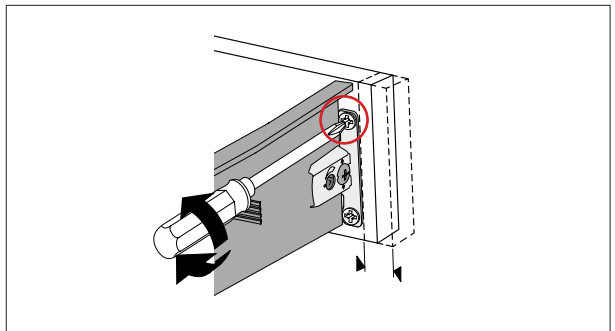


Insert drawer on an angle. Align top of metal sides onto runners in cabinet and push into place.

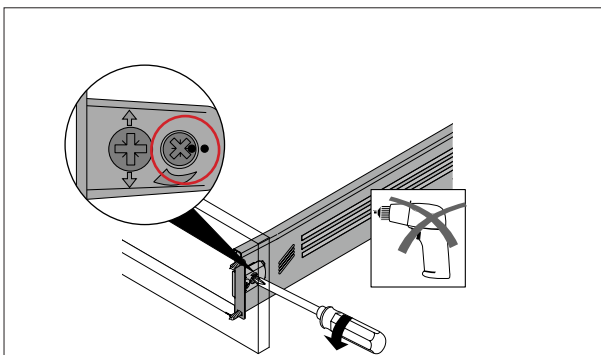
HEIGHT ADJUSTMENT



LATERAL ADJUSTMENT

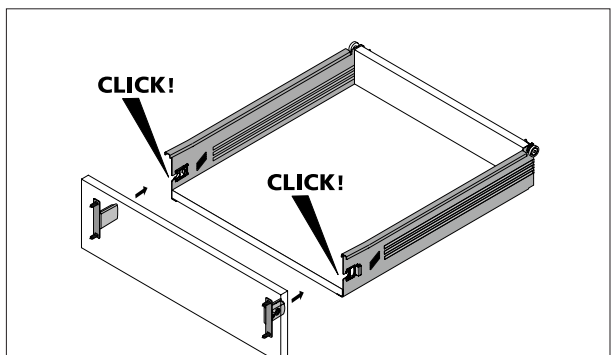


DRAWER FRONT REMOVAL



Loosen back screw on both sides until drawer front comes off.

DRAWER FRONT INSTALLATION



Align drawer front with sides of drawer and tighten front screw to secure in place.

