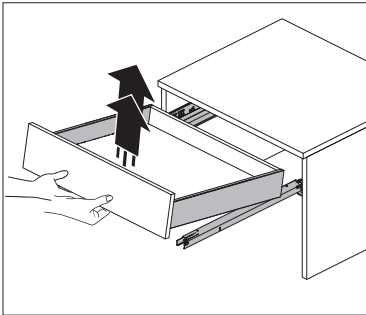
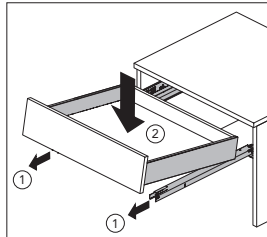


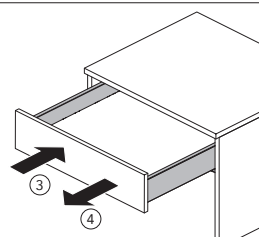
## REMOVING DRAWER



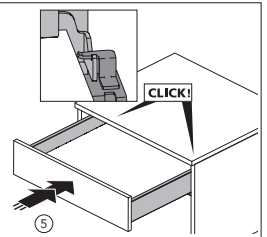
## INSERTING DRAWER



1. Pull drawer runners out
2. Place drawer on runners

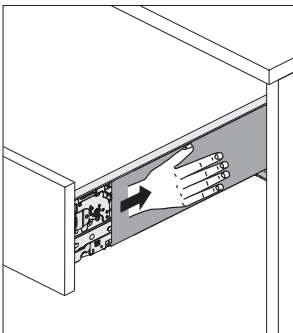


3. Push drawer in softly
4. Pull drawer back out

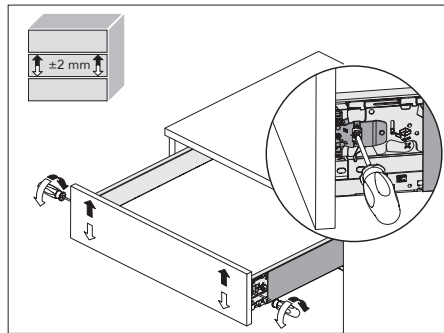


5. You will then need to apply a little force to push drawer in to connect to runners, listen for a click.

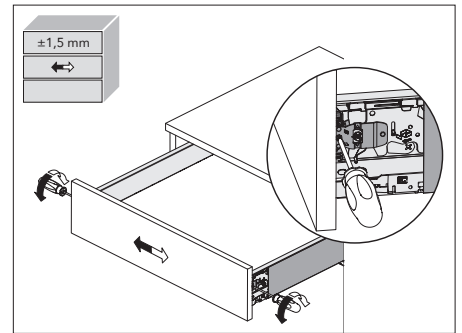
## SLIDE DRAWER COVER



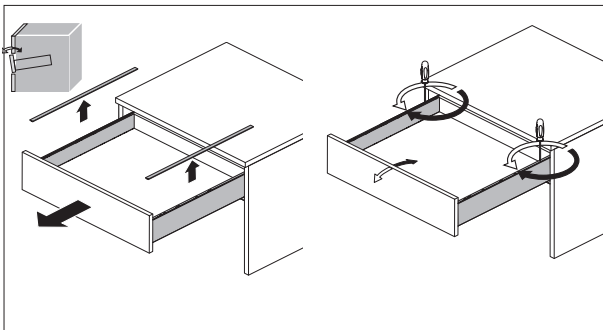
## HEIGHT ADJUSTMENT



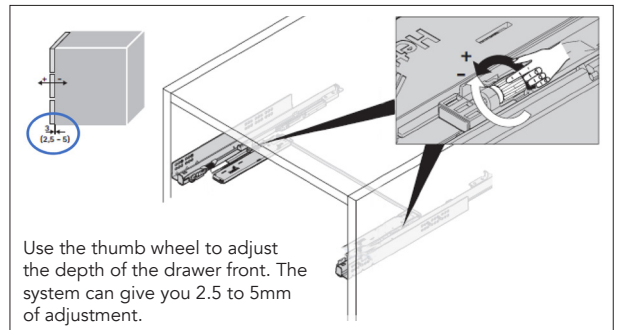
## LATERAL ADJUSTMENT



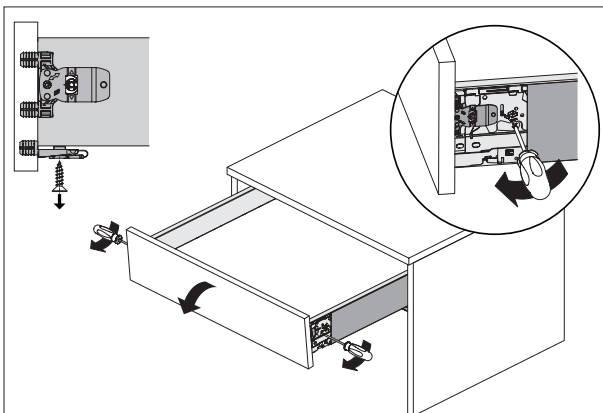
## TILT ADJUSTMENT



## DEPTH ADJUSTMENT (FOR PUSH-TO-OPEN ONLY)



## DRAWER FRONT REMOVAL



## DRAWER FRONT INSTALLATION

